



**LOTUS**  
LASER SYSTEMS

**BLU60**

LASER CUTTING & ENGRAVING SYSTEM

*Technology this good has never been so affordable*

**+44 (0) 1268 567 540**

**WWW.LOTUSLASER.COM**



## WHAT IS A BLU60

*Our most compact and affordable CO2 laser cutter, Blu60 has been specifically designed to pass through a standard door opening (76cm).*

The smaller format enclosure allows Blu60 to be coupled with a lower cost fume extraction system making this model our most affordable from our range. The 30w DC laser is the lowest cost to buy and better for lower power applications such as cutting card, scoring veneers, etc.

Blu60 is ideal for rooms requiring multiple laser cutting machines, such as school D&T departments, where cost and footprint are a priority Blu60 has a work area of 600x400mm and while it is compact in size Blu60 features identical components and the same level of functionality as found on our larger, higher cost units.

LASER SYSTEMS

## STANDARD FEATURES

*What makes a Blu laser cutter so special?*

*Let us tell you...*

## UK DESIGNED & MANUFACTURED

Most competing machines at this price point will be direct Chinese imports.

All Lotus Laser Systems are designed, assembled and tested in the UK to ISO9001 standards. We design our own electronics and manufacture all wiring in house to ensure that our systems are built to the highest quality and can be relied upon for years of trouble free service.



## EXCELLENT CAD/CAM SOFTWARE

All Blu model laser cutters come with easy to use, feature enriched Lotus Cut CAD/CAM software.

Unlike alternative print driver type machines, our software provides far greater compatibility with common industry artwork formats, extra functionality to alter drawings at the laser machine without having to open an expensive graphics package and powerful optimisation tools to minimise process times, reduce errors and enhance output quality.



## UK GRADED DC LASER SYSTEM

Lotus Laser Systems carefully select the suppliers and technology that we use for our DC lasers.

We test all of the lasers that we receive in the UK before they are integrated, scrapping any that do not meet our high quality standards.

As a consequence this adds some time and cost to our process, however, we feel that this grading process is the main reason why DC lasers fitted to a Lotus Laser System often outperform and far outlast DC lasers from alternative providers.



## AIR ASSISTED NOSECONE

---

When users switch from other brands to ours one of the main comments made is the lens in a Blu laser cutter requires far less cleaning and lasts much longer.

This is primarily because of the extra large bore air assist tube that we use combined with a different sized nosecone for each lens option we provide.

As a result, Blu lasers deliver far higher rates of air flow through the nosecone protecting the lens and in combination with underside extraction also enhances the cut quality.



## UNDERSIDE EXTRACTION

---

To maximise edge quality and cutting speed fumes should be extracted underneath the material.

All Blu model laser cutters come with underside extraction table designed to deliver a well balanced degree of vacuum and air flow. This underside extraction table can also be used to hold flat thin materials that might otherwise warp.

Drawing fumes from underneath the material significantly reduces system maintenance, increasing component life while minimising the risk of flaming.



## LAMELLA BAR CUTTING TABLE

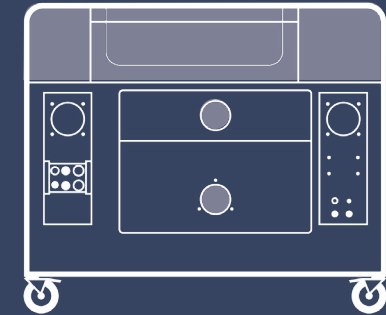
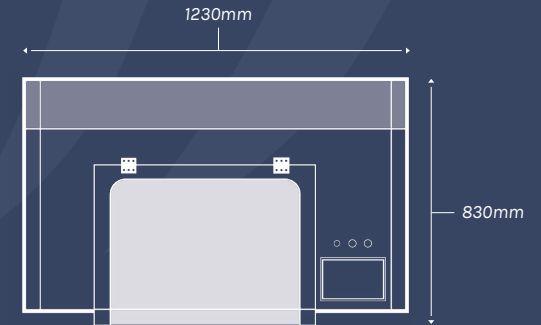
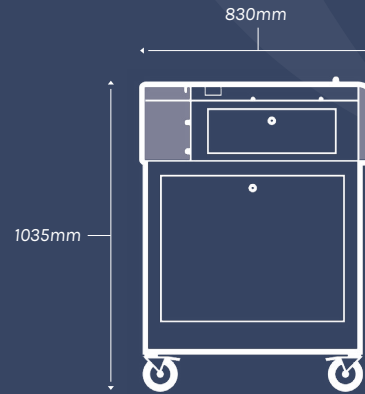
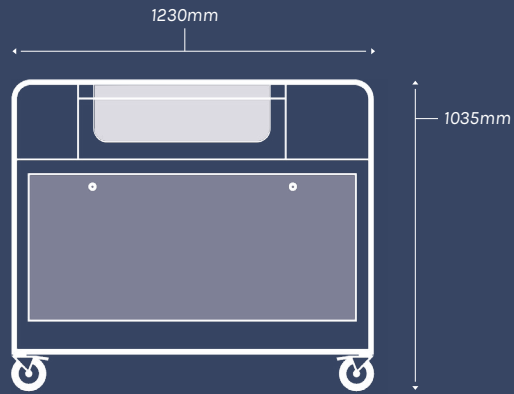
---

All Blu model laser cutters are manufactured with a lamella bar cutting table.

Cutting rigid sheet materials on lamella bars is far superior to using a honeycomb table.

The lamellas can hold a far heavier weight, do not suffer distortion or cause as much flash back as a honeycomb table does. They can be removed, cleaned and very cheaply replaced if necessary.

# GENERAL TECHNICAL DATA



## Weight & Dimensions

|        |              |
|--------|--------------|
| Width  | 1230mm       |
| Depth  | 830mm        |
| Height | 1035mm       |
| Weight | 240kg approx |

## Crated Weight & Dimensions

|        |              |
|--------|--------------|
| Width  | 1390mm       |
| Depth  | 960mm        |
| Height | 1250mm       |
| Weight | 335kg approx |

## Safety & Security

|                           |      |
|---------------------------|------|
| Laser class 2 interlocked | CE   |
| Emergency stop            | RoHS |
| Keyswitch power on/off    |      |

## Power Requirement

|                          |              |
|--------------------------|--------------|
| All systems single phase | 230v 50/60Hz |
|--------------------------|--------------|

## Miscellaneous

|                                |                               |
|--------------------------------|-------------------------------|
| LED cabinet lights             | Buffer with 99 file capacity  |
| Controller with LCD display    | PC Connection by 3m USB cable |
| Direct connection by USB stick | Coaxial air assist            |
| Cutting nosecone (1 per lens)  | Air assist pump               |

## Maximum Part Load

|                   |                   |             |
|-------------------|-------------------|-------------|
| X 600mm           | Y 400mm           |             |
| Z 1.5" lens 165mm | Z 2.0" lens 140mm |             |
| Z 2.5" lens 125mm | Z 4.0" lens 90mm  | Weight 12kg |

## Laser Source

DC excited, water-cooled, minimum 30w output @ 10.6µm  
Positioning (red dot) pointer 655mm

## Exhaust Requirements

It is mandatory to operate a correctly configured exhaust  
Performance variable according to application - seek our advice  
Number of exhaust ports: 2 Port OD: 100mm

## Chiller Unit

|       |                                    |
|-------|------------------------------------|
| Gross | 420mm W x 690mm D x 570mm H @ 25kg |
| Net   | 280mm W x 580mm D x 430mm H @ 20kg |

## Computer

|                  |            |
|------------------|------------|
| Operating System | Windows    |
| Connection       | USB max 3m |

## Performance

|               |            |
|---------------|------------|
| Scanning mode | 1000mm/sec |
| Vector mode   | 50mm/sec   |

## Table Configuration

|                               |                               |
|-------------------------------|-------------------------------|
| 40X lamella bar cutting table | Lamellas at 15mm centres      |
| Z axis max travel 100mm       | Centralised underside exhaust |

## Environmental Requirements

|  |                                |
|--|--------------------------------|
| Ambient temp. within 15-30c  | 300mm min clearance at sides   |
| Do not store above or box in   | Rest on floor level within 3mm |
| Ventilate the room well  | Comply with local regulations  |
| Do not power by a generator  | Direct data cable connection   |
| Keep away from: vibration, high humidity, dampness, unstable power supply, direct sunlight, equipment making dust particles, drafts, corrosive substances, combustible substances etc. |                                |

## Warranty (T&C Apply)

|  |                               |
|--|-------------------------------|
| Main system: 2 years                         | Labour: Variable by territory |
| Laser source: 2 year                         | Optics: 3 months              |
| Warranty upgradable to 5 years at extra cost |                               |
| Service contracts available at extra cost    |                               |