



Blu60

Laser cutting
and engraving
system



*Technology this good has
never been so affordable*



WWW.LOTUSLASER.COM

Blu60



What is Blu60?

Our most compact and affordable CO2 laser cutter, Blu60 has been specifically designed to pass through a standard door opening (76cm).

The smaller format enclosure allows Blu60 to be coupled with a lower cost fume extraction system making this model our most affordable from our range. The 30w DC laser is the lowest cost to buy and better for lower power applications such as cutting card, scoring veneers, etc. Blu60 is ideal for rooms requiring multiple laser cutting machines, such as school D&T departments, where cost and footprint are a priority

Blu60 has a work area of 600x400mm and while it is compact in size Blu60 features identical components and the same level of functionality as found on our larger, higher cost units.



GET IN TOUCH

Call +44 (0) 1268 567 540 Email sales@lotuslaser.com Visit www.lotuslaser.com

/LotusLasers /LotusLaserSystems



Standard Features

UK DESIGNED & MANUFACTURED

Most competing machines of this type and at this price point will be direct Chinese imports. All Lotus Laser Systems are designed, assembled and tested in the UK to ISO9001 quality standards. We design our own electronics and manufacture all of our wiring in house to ensure that our systems are built to the highest quality and can be relied upon to deliver years of trouble free service

EXCELLENT CAD/CAM SOFTWARE

All Blu model laser cutters come with easy to use, feature enriched Lotus Cut CAD/CAM software. Unlike the alternative print driver type machines, using our software provides far greater compatibility with common industry artwork formats, extra functionality to alter drawings at the laser cutting machine without having to open an expensive graphics package and, best of all, powerful optimisation tools to minimise process times, reduce errors and enhance output quality



▲ UK GRADED DC LASER SOURCE

Some DC lasers have a reputation of being very unreliable, even when new. At Lotus Laser Systems we carefully select the suppliers and the technology that we use for DC lasers then in the UK we test all of the lasers that we receive before they are integrated, literally scrapping any that do not meet our high quality

standards. As a consequence this adds some time and cost to our process, however, we feel that this grading process is the main reason why DC lasers fitted to a Lotus Laser System often outperform and far outlast DC lasers from alternative providers.

GET IN TOUCH

Call +44 (0) 1268 567 540 Email sales@lotuslaser.com Visit www.lotuslaser.com

  /LotusLasers  /LotusLaserSystems



Standard Features

AIR ASSISTED NOSECONE ▶

When users switch from other brands to ours one of the main comments made is that the lens in a Blu laser cutter requires far less frequency of cleaning and lasts a much longer time. This is primarily because of the extra large bore air assist tube that we use combined with a different sized nosecone for each of the lens options we provide. As a result, Blu lasers deliver far higher rates of air flow through the nosecone not only protecting the lens but in many cases, in combination with underside extraction our air assist also enhances the cut quality



◀ UNDERSIDE EXTRACTION

To maximise edge quality and speed of cutting, for most applications fumes should be extracted through the cut line from underneath the material. All Blu model laser cutters come with an underside extraction table designed to deliver a well balanced degree of vacuum and air flow. This underside extraction table can also be used to hold flat thin materials that might otherwise warp. Drawing fumes from underneath the material significantly reduces system maintenance, increasing component life while at the same time minimising the risk of flaming.

LAMELLA BAR CUTTING TABLE ▶

All Blu model laser cutters are manufactured with a lamella bar cutting table. Cutting rigid sheet materials on lamella bars is far superior to using a honeycomb table. The lamellas can hold a far heavier weight, do not suffer distortion or cause as much flash back as a honeycomb table does; they can be removed, cleaned and very cheaply replaced if necessary.



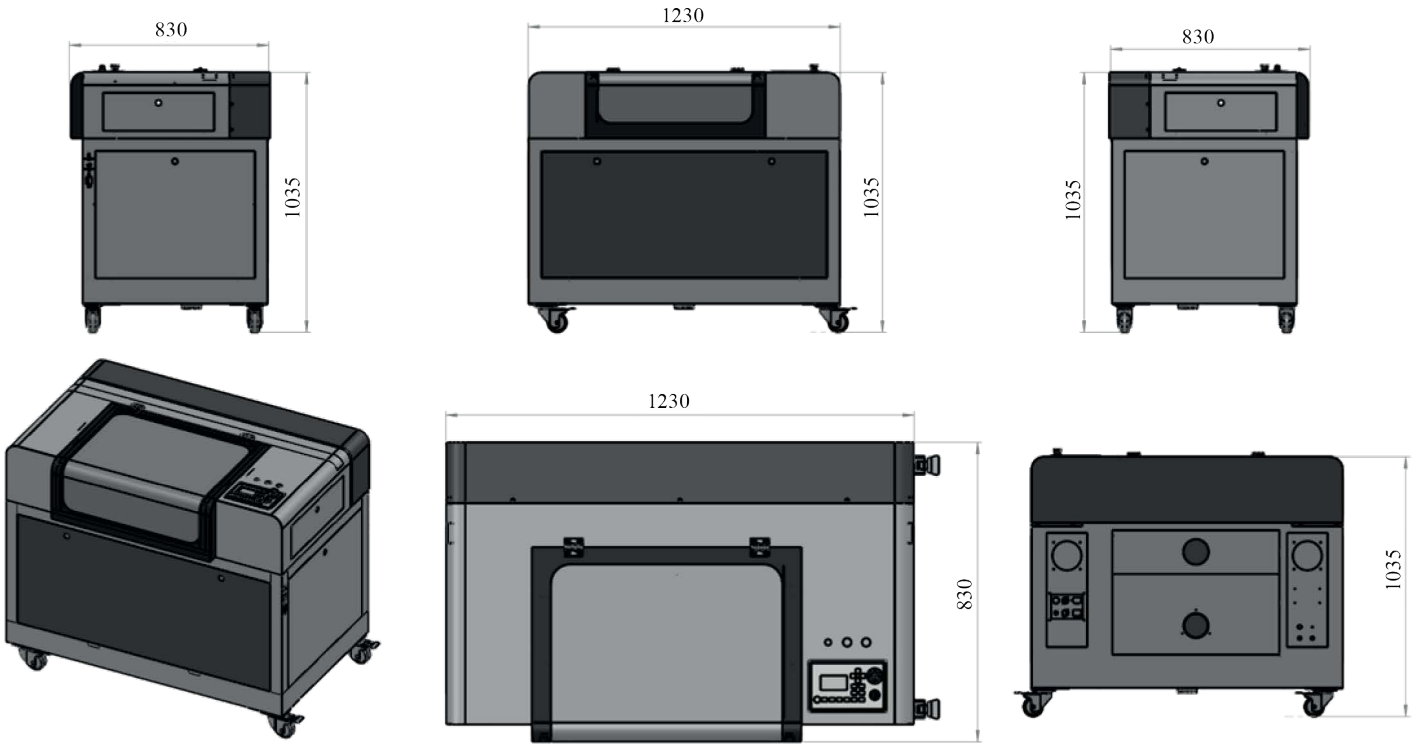
GET IN TOUCH

Call +44 (0) 1268 567 540 Email sales@lotuslaser.com Visit www.lotuslaser.com

  /LotusLasers  /LotusLaserSystems



General Technical Data



NET WEIGHT & DIMENSIONS

Width	1230mm
Depth	830mm
Height	1035mm
Weight	240kg approx

GROSS (CRATED) WEIGHT & DIMENSIONS

Width	1750mm
Depth	930mm
Height	1280mm
Weight	335kg approx

COOLING UNIT

Gross:	420mm W x 690mm D x 570mm H @ 25kg
Net:	280mm W x 580mm D x 430mm H @ 20kg

LASER SOURCE

DC excited, water-cooled, minimum 30w output @ 10.6µm
Positioning (red dot) pointer 655mm

POWER REQUIREMENT

All systems single phase	230v 50/60Hz
--------------------------	--------------

COMPUTER

Operating System	Windows
Connection	USB max 3m

EXHAUST REQUIREMENTS

It is mandatory to operate a correctly configured exhaust	
Performance variable according to application - seek our advice	
Number of exhaust ports: 2	Port OD Diameter: 100mm

PERFORMANCE

Scanning mode: 1000mm/sec	Vector mode: 50mm/sec
---------------------------	-----------------------

SAFETY & SECURITY

Laser class 2 interlocked	CE
Emergency stop	RoHS
Keyswitch power on/off	

MISCELLANEOUS

LED cabinet lights	Buffer with 99 file capacity
Controller with LCD display	PC Connections by 3m USB cable
Direct connection by USB stick	Coaxial air assist
Cutting nosecone (1 per lens)	Air assist pump

TABLE CONFIGURATION

40x lamella bar cutting table	Lamellas at 15mm centres
Z axis max travel 100mm	Centralised underside exhaust

MAXIMUM PART LOAD

X 600mm	Y 400mm
Z 1.5" lens 165mm	Weight 12kg
Z 2.0" lens 140mm	Z 4.0" lens 90mm
Z 2.5" lens 125mm	

ENVIRONMENTAL REQUIREMENTS

Ambient temp. within 15-30c	300mm min clearance at sides
Do not store above or box in	Rest on floor level within 3mm
Ventilate the room well	Comply with local regulations
Do not power by a generator	Direct data cable connection

Keep away from: vibration, high humidity, dampness, unstable power supply, direct sunlight, equipment making dust particles, drafts corrosive substances, combustible substances etc.

WARRANTY (T&C APPLY)

Main system: 2 years	Labour: Variable by territory
Laser source: 1 year	Optics: 3 months
Warranty upgradable to 5 years at extra cost	
Service contracts available at extra cost	